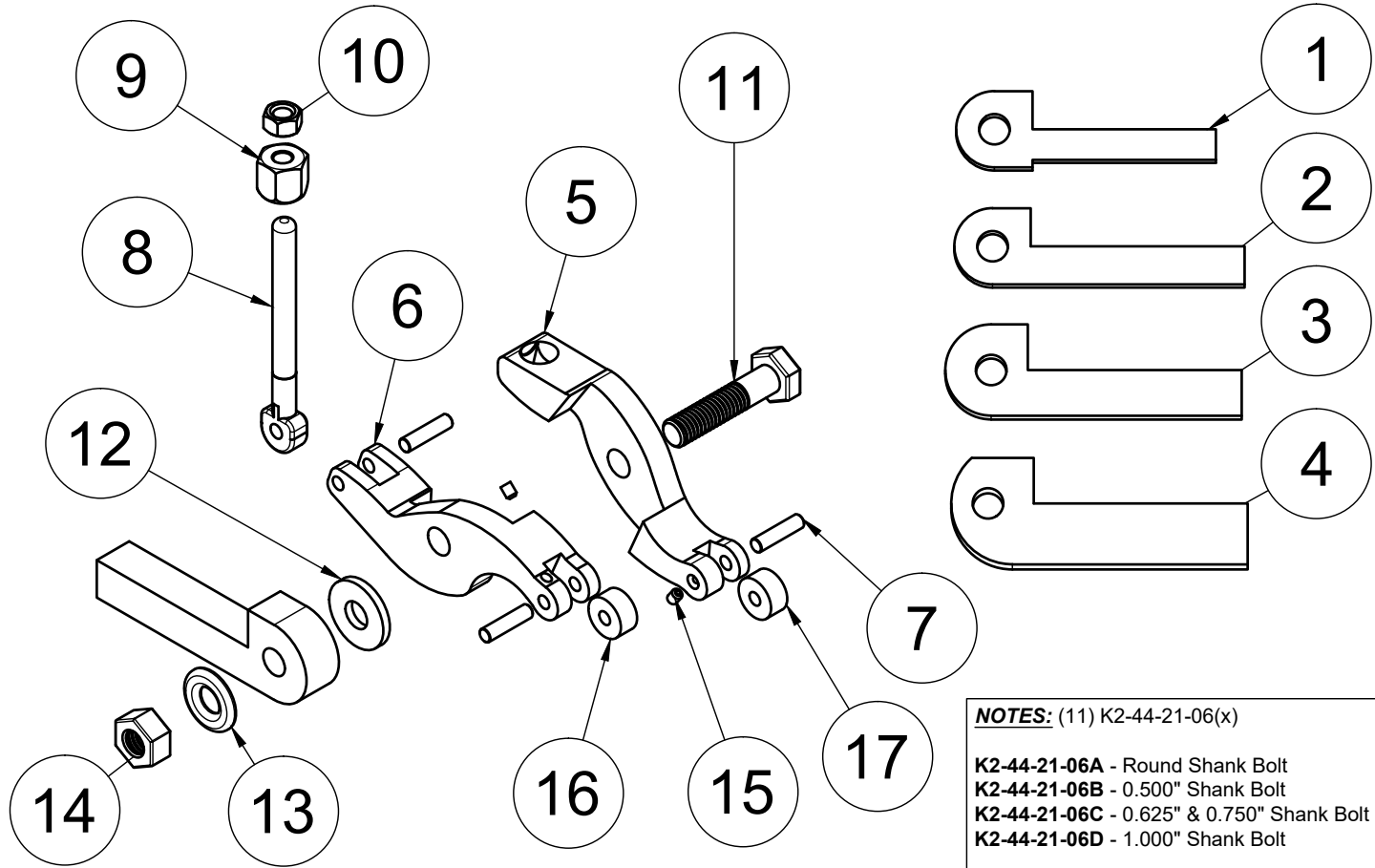




**0" - 2-1/8": Heavy Duty Scissor Form-Type Knurling Tool**  
**Universal Shanks - Standard Knurl (E)**  
**K1-44-21 Parts & Assembly Sheet**



**NOTES:** (11) K2-44-21-06(x)  
**K2-44-21-06A** - Round Shank Bolt  
**K2-44-21-06B** - 0.500" Shank Bolt  
**K2-44-21-06C** - 0.625" & 0.750" Shank Bolt  
**K2-44-21-06D** - 1.000" Shank Bolt

1	K2-44-21-0500-U	0.500" Universal Shank
2	K2-44-21-0625-U	0.625" Universal Shank
3	K2-44-21-0750-U	0.750" Universal Shank
4	K2-44-21-1000-U	1.000" Universal Shank
5	K2-44-21-04-E	Left Scissor Half
6	K2-44-21-03-E	Right Scissor Half
7	K2-44-21-11	Precision Knurl Pins
8	K2-44-21-07	Adjustment Screw
9	K2-44-21-08	Adjustment Nut
10	K2-44-21-09	Locking Nut
11	K2-44-21-06(x)	1/2-20 Grade 8 Bolt (A, B, C, D)
12	K2-44-21-13A	Precision Spacer
13	K2-44-21-13	Black Oxide Crush Washer
14	K2-44-21-12	1/2-20 Grade 8 Nut
15	K2-44-21-10	Set Screws
16	K3-E10A30-BR21-K1	Medium Pitch (21 TPI) RH Knurl
17	K3-E10A30-BL21-K1	Medium Pitch (21 TPI) LH Knurl

*For This Tool Lines Webpage  
Scan Here!*



**EAGLE ROCK** TECHNOLOGIES, INC.  
 One Eagle Rock Drive  
 Bath, PA 18014-9692  
 1-800-EAGLEROCK  
 1-800-324-5376  
 1-610-759-5200  
 www.EagleRockOnline.com Fax: 1-610-759-4340