

2010

Metric Conversions

MM x 0.03937 = Inches  
Inches x 25.4 = MM  
Grams x 0.03527 = Ounces  
Ounces x 28.349527 = Grams

**EAGLE ROCK**<sup>®</sup>  
TECHNOLOGIES

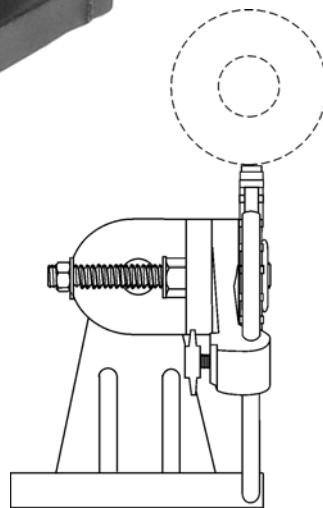
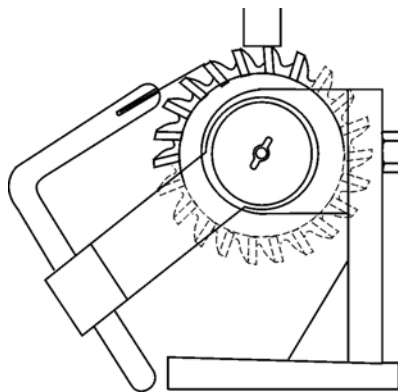
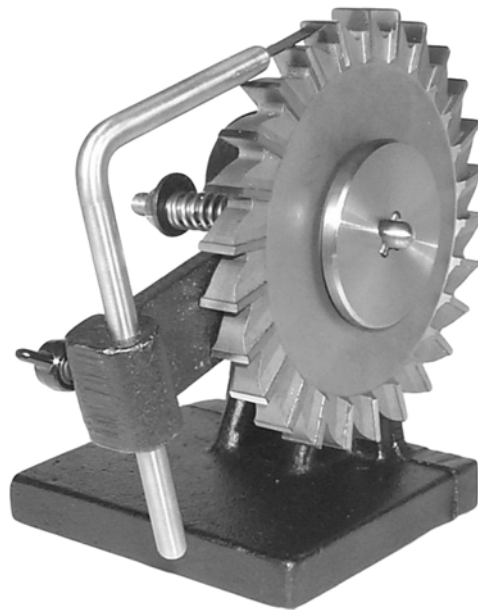
**Wettstein Tool**<sup>™</sup>

**Grinding Accessories**

No. A1-206

**Milling Cutter Grinding Fixture**

For use on your surface grinder. Fully adjustable to accommodate straight or angle milling cutters up to 6" diameter and 1" width. A complete set of bushings are included to accommodate 5/8", 1", 1 1/4", and 1 1/2" cutter bores.



|                                 |           |
|---------------------------------|-----------|
|                                 | Cat. No.  |
| Milling Cutter Grinding Fixture | A1-206-00 |

6