

**Knurlcraft**<sup>™</sup>

**Knurling Tools, Form Type – Double Knurl**

No. K1-201

**The Original Scissor Type  
Knurling Tools**

**Guaranteed to outlive and outperform  
any of the imported knockoffs.**

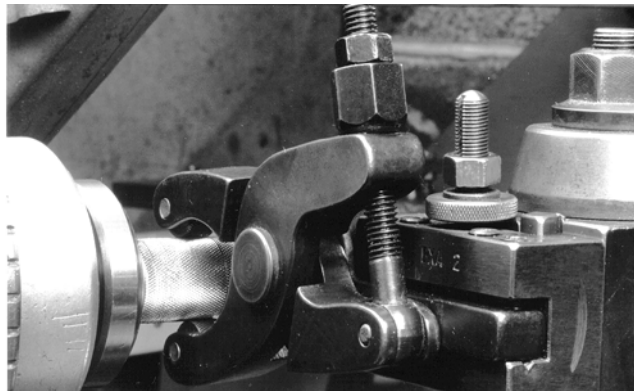
Knurling pressures are absorbed between the Knurls, NOT your lathe bed, compound, centers or feed screws. Fast setup, instantly ready for knurling. Knurling patterns are clean and sharp with no double tracking.

Our exclusive one piece offset CNC shank insure maximum rigidity with minimal X-axis overhang. Each tool includes one set of Medium pitch, Diamond pattern knurls.

**Features**

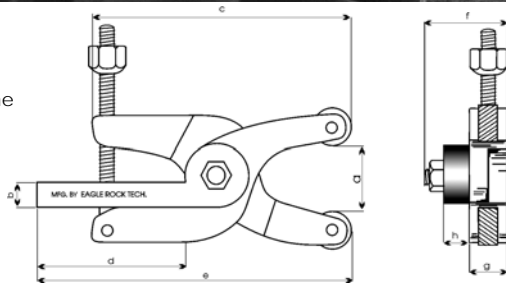
- **Machine:** Manual or CNC Lathes
- **Capacity:** 0-2<sup>1</sup>/<sub>8</sub> or 2<sup>1</sup>/<sub>8</sub>-4"
- **Knurl Size:** [E] 3/4x3/8x1/4
- **Knurl Patterns:** Straight [2 knurls AA] Diamond, Male [1 knurl BL, 1 knurl BR]
- **Knurls Included:** 1 set [1 knurl BL and 1 knurl BR] Medium pitch, Diamond pattern

**Toolbox  
Basics**<sup>™</sup>



12

Manual Lathe  
Shank



2010

Metric Conversions

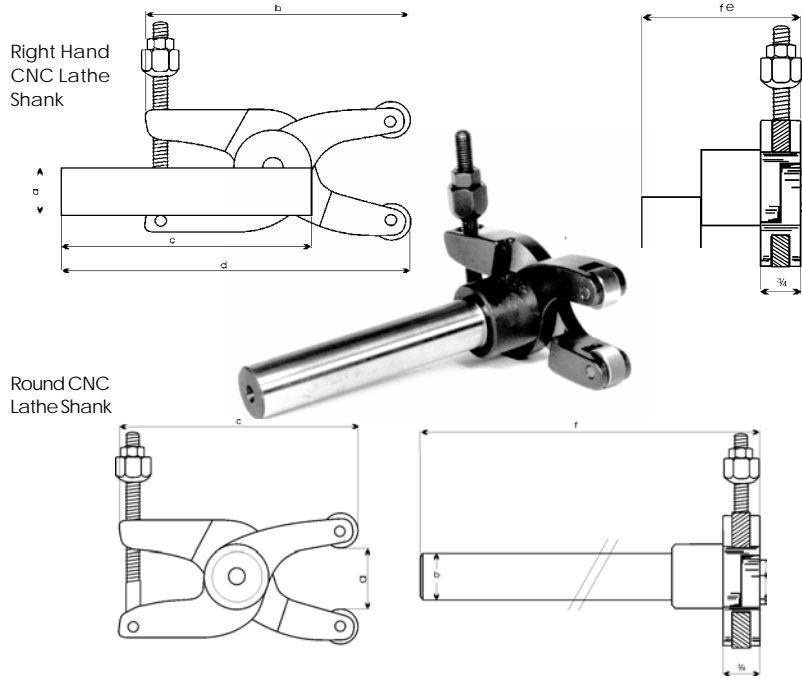
MM x 0.03937 = Inches  
 Inches x 25.4 = MM  
 Grams x 0.03527 = Ounces  
 Ounces x 28.349527 = Grams

**EAGLE ROCK**<sup>®</sup>  
 TECHNOLOGIES



Knurling Tools, Form Type - Double Knurl

No. K1-201 [Cont'd]



Please call for shank sizes not listed below.

Manual Lathe Shanks

Capacity	a	b	c	d	e	Knurl Size	Cat. No.
0-2 1/8"	3/8"	5.0	3.0	6.0	1.3	E- 3/4x3/8x1/4	K1-201-21-0625M-E
2 1/8-4"	3/4	7 3/4	3 1/2	8.0	1.5	E- 3/4x3/8x1/4	K1-201-40-0750M-E

CNC Lathe Shanks - 0-2 1/8" Capacity

Capacity	a	b	c	d	e	Knurl Size	Cat. No.
0-2 1/8"	3/4 Rd	5.0	—	—	6 3/4	E- 3/4x3/8x1/4	K1-201-21-0750D-E
0-2 1/8"	3/4 LH	5.0	5.0	7.0	2.8	E- 3/4x3/8x1/4	K1-201-21-0750L-E
0-2 1/8"	3/4 RH	5.0	5.0	7.0	2.8	E- 3/4x3/8x1/4	K1-201-21-0750R-E
0-2 1/8"	1" Rd	5.0	—	—	6 3/4	E- 3/4x3/8x1/4	K1-201-21-1000D-E
0-2 1/8"	1" LH	5.0	5.0	7.0	2.8	E- 3/4x3/8x1/4	K1-201-21-1000L-E
0-2 1/8"	1" RH	5.0	5.0	7.0	2.8	E- 3/4x3/8x1/4	K1-201-21-1000R-E

CNC Lathe Shanks - 2 1/8-4" Capacity

Capacity	a	b	c	d	e	Knurl Size	Cat. No.
2 1/8-4"	3/4 Rd	7 3/4	—	—	6 3/4	E- 3/4x3/8x1/4	K1-201-40-0750D-E
2 1/8-4"	3/4 LH	7 3/4	5.0	8.0	2.8	E- 3/4x3/8x1/4	K1-201-40-0750L-E
2 1/8-4"	3/4 RH	7 3/4	5.0	8.0	2.8	E- 3/4x3/8x1/4	K1-201-40-0750R-E
2 1/8-4"	1" Rd	7 3/4	—	—	6 3/4	E- 3/4x3/8x1/4	K1-201-40-1000D-E
2 1/8-4"	1" LH	7 3/4	5.0	8.0	2.8	E- 3/4x3/8x1/4	K1-201-40-1000L-E
2 1/8-4"	1" RH	7 3/4	5.0	8.0	2.8	E- 3/4x3/8x1/4	K1-201-40-1000R-E