

2010

Metric Conversions

MM x 0.03937 = Inches
 Inches x 25.4 = MM
 Grams x 0.03527 = Ounces
 Ounces x 28.349527 = Grams



Knurling Tools, Form Type – Hand Tools

No. K1-229

Hand Knurling Tool for Internal Bores

An excellent hand tool for maintenance departments and machine shops. Used for internal knurling and repair work of worn out bores. For repair work, a worn out bore can be knurled undersized and then be rebored to its original size.

The Standard tool [K1-229-00] has a 1/4 to 5" capacity. Each Standard tool includes one set of Medium pitch, Straight [AA] pattern knurls.

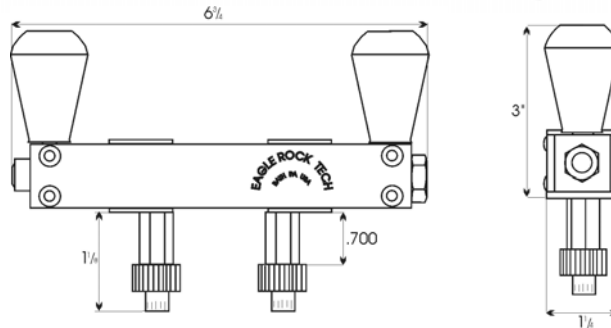
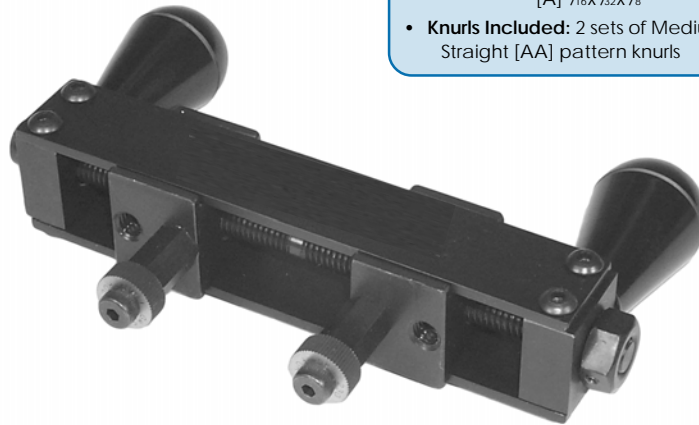
Features

- Capacity: 1/4 to 5"
- Knurl Size: [C] 5/8x1/4x1/4"
- Knurls Included: 1 set of Medium pitch, Straight [AA] pattern knurls

The Deluxe Tool [K1-229-10] has a 5/8 to 5" capacity. The Deluxe tool is the same as the Standard tool but also includes removable adapters which reduce the capacity to accommodate a minimum bore of 5/8". Each Deluxe tool includes two sets of Medium pitch, Straight [AA] pattern knurls.

Features

- Capacity: 5/8 to 5"
- Knurl Sizes: [C] 5/8x1/4x1/4"
[A] 5/16x5/32x1/8"
- Knurls Included: 2 sets of Medium pitch, Straight [AA] pattern knurls



10

	Capacity	Knurl Size	Cat. No.
Std Internal Knurler	1/4-5"	C-5/8x1/4x1/4"	K1-229-00-C
Deluxe Internal Knurler	5/8-5"	C-5/8x1/4x1/4" A-5/16x5/32x1/8"	K1-229-10-C
Adapter Blocks [only]	5/8-1 1/4"	A-5/16x5/32x1/8"	K1-229-20-A