

2010

**Metric Conversions**  
 MM x 0.03937 = Inches  
 Inches x 25.4 = MM  
 Grams x 0.03527 = Ounces  
 Ounces x 28.349527 = Grams

**EAGLE ROCK®**  
 TECHNOLOGIES

**Knurlcraft™**

**Knurling Tools, Cut Type – Double Knurl**

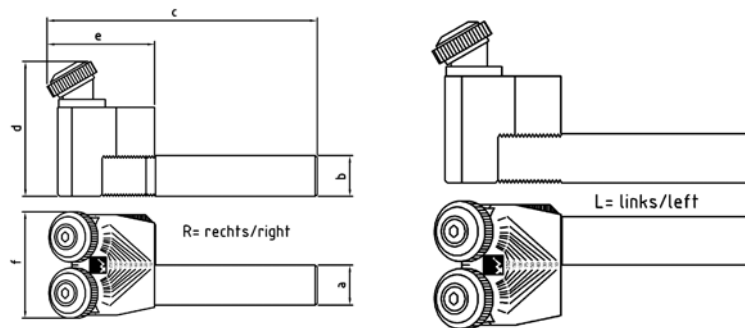
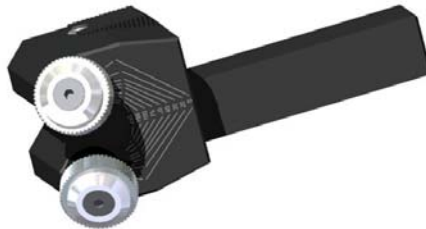
No. K1-644

**Diamond Pattern Cut Type  
 Knurling Tool**

An entry level cut type knurling tool for cutting 30° and 45° diamond patterns. Universal CNC shank is reversible to accommodate both Left hand and Right hand applications. Knurls are individually adjustable to insure a perfect tooth form and maximum tool life on any diameter within its capacity.

- Features**
- **Machine:** Manual or CNC Lathes
  - **Capacity:** 10-250 mm [ $\frac{3}{8}$ -10"]
  - **Knurl Sizes:** (V) 25x6x8
  - **Knurl Patterns:** Diamond 30 or 45°  
 [2 knurls AA or 1 knurl BL and 1 knurl BR 15°]
  - **Knurls Included:** 1 set Medium pitch, Straight pattern [AA] knurls to produce a 30° Diamond pattern on your part.

**Toolbox  
 Basics™**



15

Capacity	a	b	c	d	e	f	Knurl Size	Cat. No.
10 - 250	20mm	20	134	68	54	58	V-25x6x8	K1-644-M20U-V