

Metric Conversions

MM	x	0.03937	=	Inches
Inches	x	25.4	=	MM
Grams	x	0.03527	=	Ounces
Ounces	x	28.349527	=	Grams



2

No. R1-2S
REDMER™ Heavy Duty Air Chucks

The REDMER AIR CHUCK is a heavy duty holding fixture that has many uses in second operation work, such as drilling, milling, threading, tapping, deburring, etc. It is also an ideal fixture for use in assembly work.

The REDMER AIR COLLET CHUCK was developed with one purpose in mind – to provide a holding fixture that would give **ACCURACY – SPEED – ECONOMY**.

Designed primarily for use with Brown & Sharp type screw machine collets, **ACCURACY** is maintained as the collet remains stationary, thereby eliminating the possibility of depth and center variance due to slight variations in the diameter of the work.

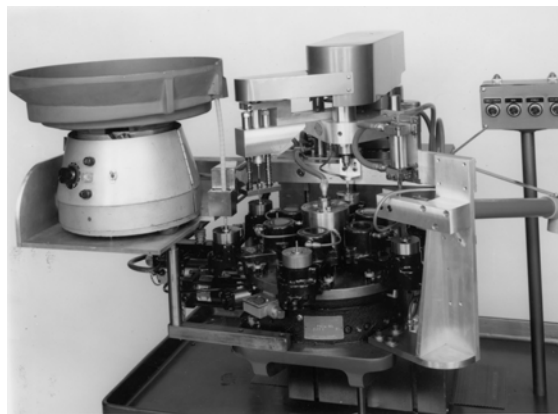
SPEED is obtained by the ease of operation of the collet chuck. The operator's hands are free to load and unload, thus reducing fatigue and cutting unproductive time to a minimum. The built-in part stop features an air/coolant ejection system to improve part and chip removal.



Its low consumption of air and its simplicity of construction, which eliminates expensive repairs, gives the desired **ECONOMY**. It can be used on many different jobs merely by changing collet and stop. This, in most instances, eliminates the designing or building of special fixtures that are obsolete when parts are changed. This also means the saving of valuable production time and materials.

The REDMER AIR COLLET CHUCKS are indispensable where a holding fixture is required for round, square or hexagon work. One fixture will eliminate the need for numerous jigs and fixtures that are only adaptable to one particular job. It only requires the changing of the collet, and the adjusting of the built-in stop rod to change from operation to another. These simple changes can be accomplished in just a few minutes.

Whether in short run applications that last for a few parts or long run applications that seem to run forever, the quality and workmanship of the REDMER AIR CHUCKS will provide a long-lasting and accurate performance.



2010

Metric Conversions

MM x 0.03937 = Inches
 Inches x 25.4 = MM
 Grams x 0.03527 = Ounces
 Ounces x 28.349527 = Grams

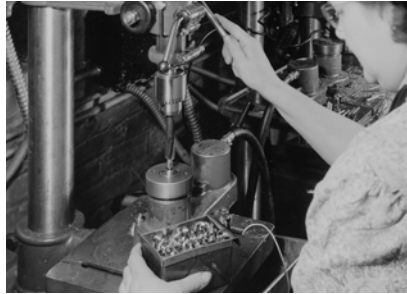
EAGLE ROCK[®]
 TECHNOLOGIES

Redmer[™]
 AIR CHUCK

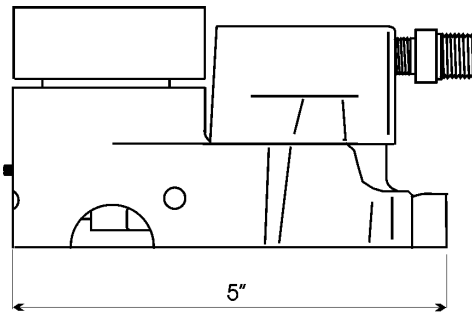
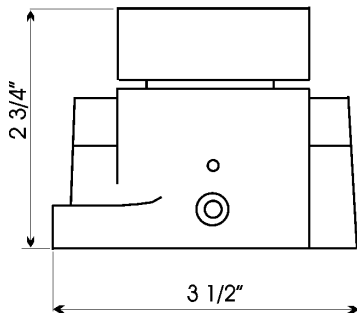
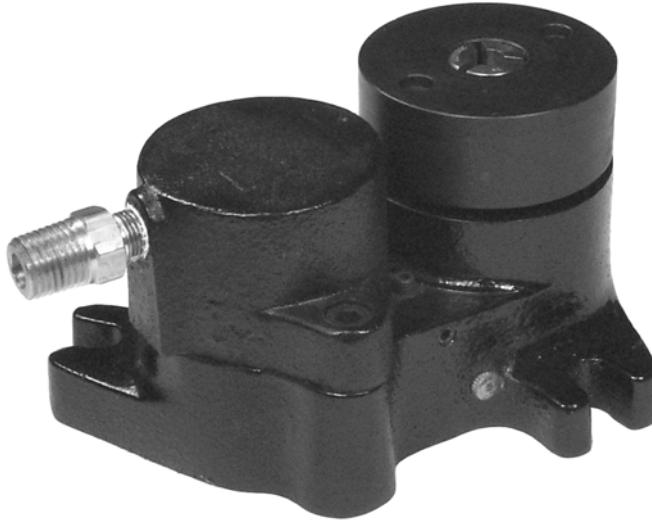
No. R1-000

REDMER "000" Heavy Duty Air Chuck

This compact model with 1/2" capacity was designed especially for small work applications where a limited amount of space is available.



2



Approximate Shipping
 Weight: 4 lbs.

Collet	Capacity	Cat. No.
#00	3/8"	R1-000-00
3C	1/2"	R1-000-3C

Please call for other collet configurations

Metric Conversions

MM x 0.03937 = Inches
 Inches x 25.4 = MM
 Grams x 0.03527 = Ounces
 Ounces x 28.349527 = Grams

2010

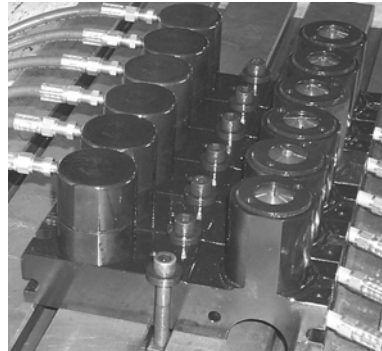


2

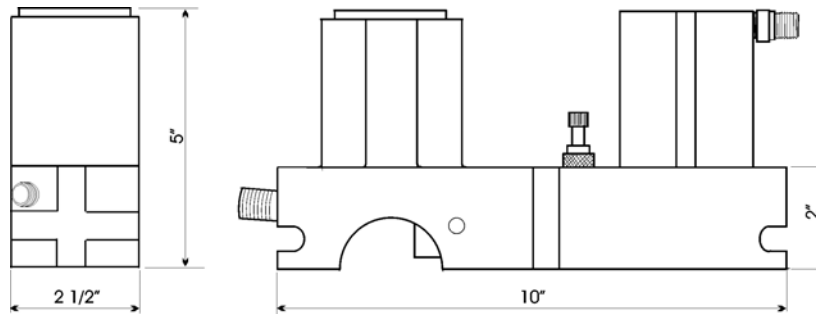
No. R1-NC

REDMER "NC" Heavy Duty Air Chuck

Stacked dual chamber air piston provides powerful holding of parts to 1 1/16" diameter. Designed for mounting vertically or horizontally. Narrow profile allows for side-by-side mounting to fully utilize table space. Ideal for CNC Machining Centers and shuttle tables.



All "NC" Air Chucks include the REDMER Collet Stop System with built-in air/coolant ejection.



Approximate Shipping Weight: 15 lbs.

Collet	Capacity	Cat. No.
#11C	1"	R1-NC-11C
5C	1 1/16"	R1-NC-5C

Please call for other collet configurations

2010

Metric Conversions

MM x 0.03937 = Inches
 Inches x 25.4 = MM
 Grams x 0.03527 = Ounces
 Ounces x 28.349527 = Grams

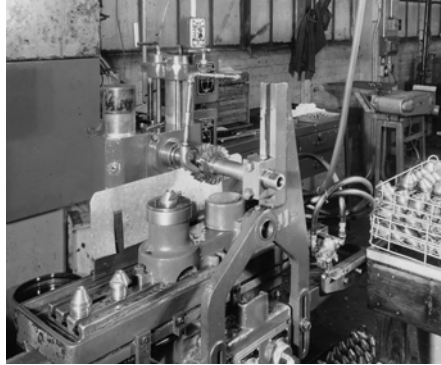
EAGLE ROCK[®]
 TECHNOLOGIES

Redmer[™]
 AIR CHUCK

No. R1-2S

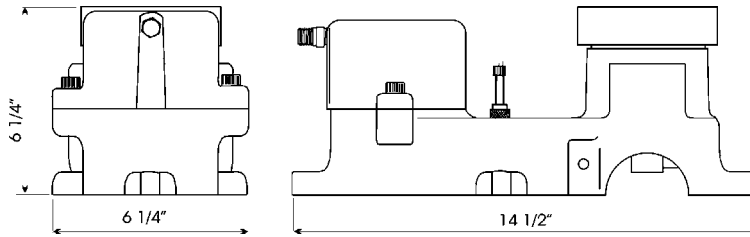
REDMER "2S" Heavy Duty Air Chuck

The largest of the Redmer Air Chucks. A solid cast iron construction provides the maximum capacity, rigidity, stability and versatility of any standard collet fixture anywhere. This heavy-duty workhorse with a 2" diameter capacity will accommodate the most demanding applications.



2

All "2S" Air Chucks include the REDMER Collet Stop System with built-in air/coolant ejection.



Approximate Shipping Weight: 38 lbs.

Collet	Capacity	Cat. No.
#22D	1 5/8"	R1-2S-22D
RC5	2"	R1-2S-RC5

Please call for other collet configurations